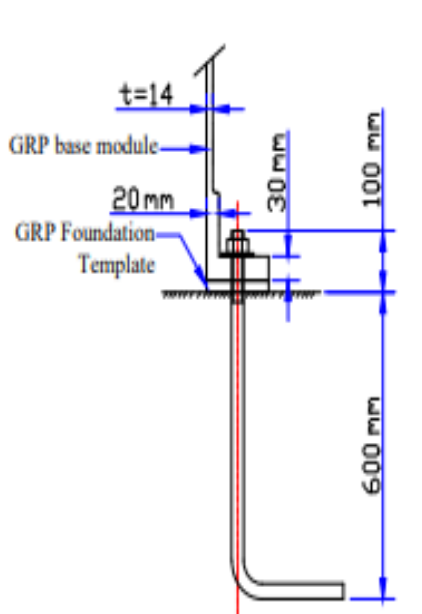
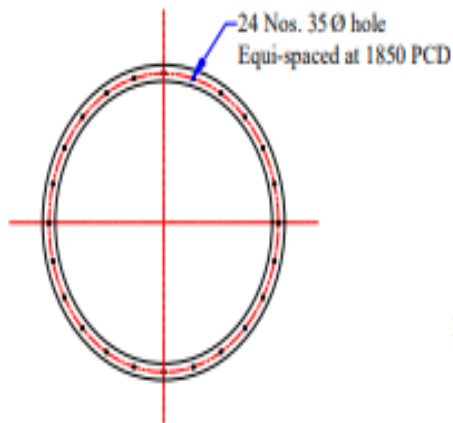


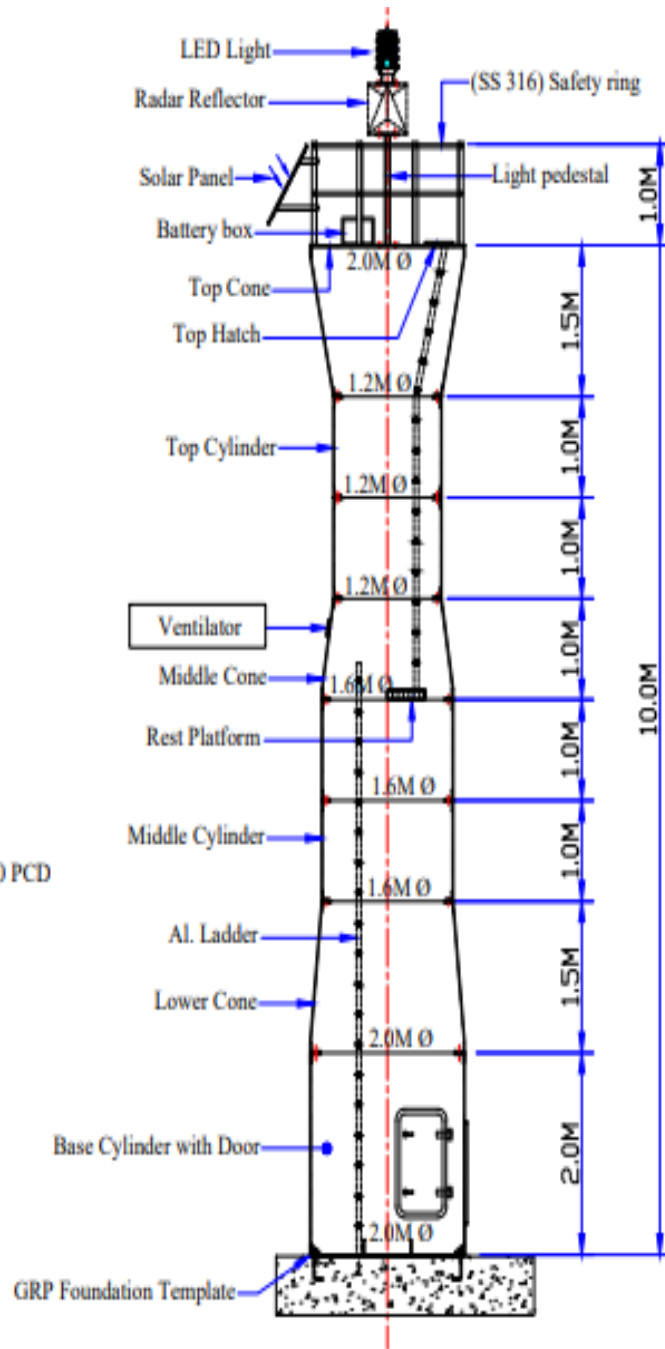
BEACON TOWER DRAWING



24 Nos. 30 Ø BASE ANCHOR BOLTS
Equi-spaced at 1850 mm PCD



GRP FOUNDATION TEMPLATE



TOTAL GRP BODY WEIGHT = 1170 kg. (approx)

COLOUR : RED / WHITE OR AS PER ORDER

NAVIGATIONAL BUOYS AID

